

WellWorx 50K LOAD CELL KIT

WELLWORX 50K LOAD CELL

- Backed by Electrical Surge Warranty.
- Environmental Protection IP68 with complete hermetic sealing.

QUALITY BY DESIGN

Exceptional engineering and craftsmanship are hallmarks of WellWorx. Our Load Cell product line is robust and accurate, delivering unrivaled performance in even the most hostile environments. So much so that we are offering an Electrical Surge Warranty.*

SEAMLESS INTEGRATION

Our Load Cell kit is designed to be compatible with most pump-off control systems available on the market and is interchangeable with many of our competitor's devices. When the time comes, it's easy to upgrade from your old load cell to our product line.

QUALITY ASSURANCE

Machined from high-grade steel, hermetically sealed and containing state of the art strain gauge electronics, our load cell kit provides a robust and accurate solution to rod pumping systems. Thorough testing and approvals add quality reassurance.

FIT FOR PURPOSE

The WellWorx Load Cell has been built for use in rod pumping applications within the oil and gas industry. Once fitted, the kit provides real-time data, allowing the control system to maintain optimum performance. Built from the very best materials

using the finest precision tools, you can be assured that the WellWorx Load Cell is the best in its class.

PERFECT ACCESSORIES

We offer a broad range of accessories that complement the WellWorx Load Cell. Spherical washers are available to minimize off-center forces which in turn improves accuracy. Coiled load cables in a variety of lengths can be provided as well. We are committed to delivering the very best solutions for your application.



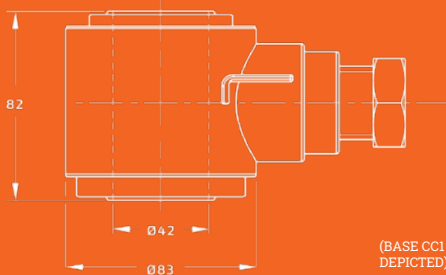
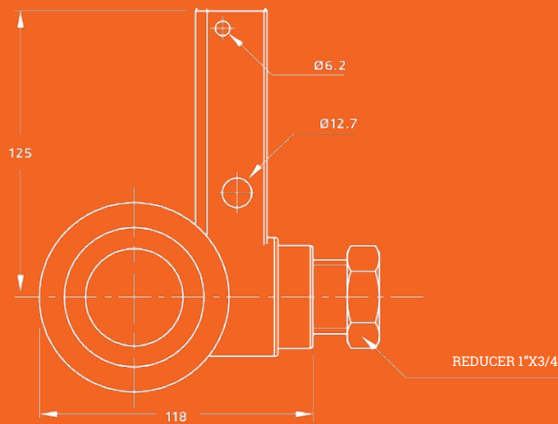
* Obvious misuse and mistreatment are not included in the warranty



WELLWORX

Key Features

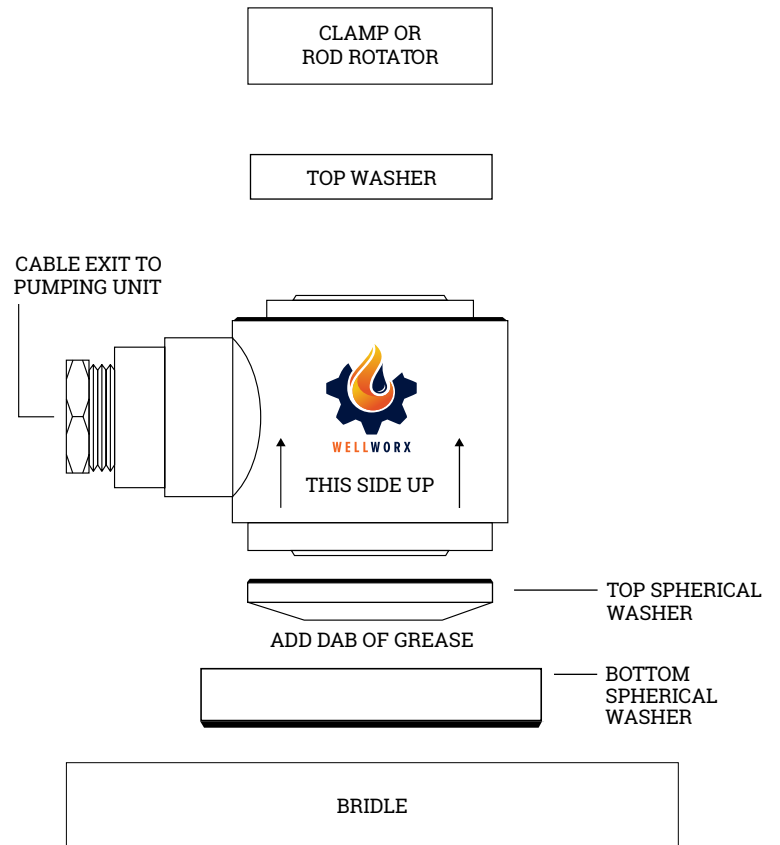
- Capacity of 50 klb (22.7 t).
- Stainless steel construction.
- Environmental Protection IP68 with complete hermetic sealing.
- Traceable calibration in accordance with NIST (National Institute of Standards and Technology).
- MV/V output with standard 6-pin MOLEX connector.
- MIL-DTL-5015 type connector.
- UL/ULc certification for use in the oil and gas industry in North America.



(BASE CCI MODEL DEPICTED) (MM)



LOAD CELL INSTALLATION



WELLWORX

3509 South County Road 1210, Midland, TX 79706
Questions? Please call us at 432.701.5715
info@wellworxenergy.com | wellworxenergy.com



STAY CONNECTED

linkedin.com/company/wellworx/
 facebook.com/wellworxenergy/
 instagram.com/wellworx_energy/